



- Wiegand34(26 optional) bits RS-485 protocol
- 13.56MHz(Mifare)
- 125KHz(EM-ID)
- Water-proof design
- Red, blue and green indicator LEDs
- Surface mounted installation



LARC2

Waterproof RFID Reader

Caratteristiche generali

The reader support wiegand, it means you can integrate it with the third party controllers by using wiegand or RS485. For RS485, it support 100m distance when power supply from controller. If power supply separate, it can extend to 1000m. The slim and water-proof design can make it used in any environment.

Caratteristiche Tecniche

System

Main Processor	8 Bit
----------------	-------

Read

Read Format	13.56MHz	125KHz
Read Range	3-6cm (max.)	
Reading time	<0.1s	

Interface

To Controller	RS485,Wiegand 34(26 optional)
---------------	-------------------------------

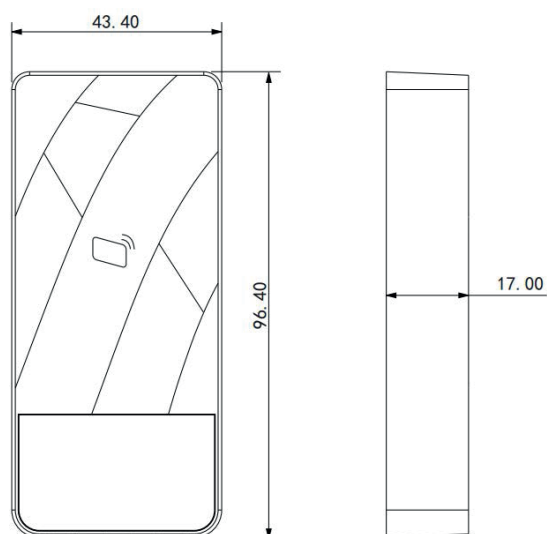
General

Beep Tone	Buzzer
Ingress protection	IP66 (Apply silica gel to gaps between the device and the wall. Liquid sodium silicate is recommended. For details, see the quick start guide.)
Power Supply	9-15V DC/100mA
Operating Temperature	-30°C to +60°C
Working Humidity	≤95%
Dimension(W×D×H)	96mm×43mm×17mm
Weight	0.1kg
Working Environment	Outdoor

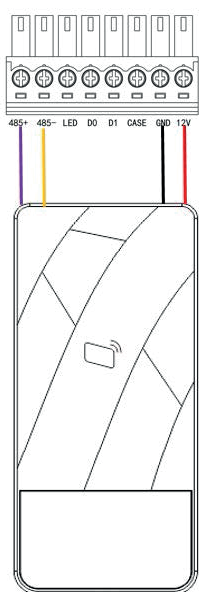
Certificates

CE	Yes
FCC	Yes

Dimensioni

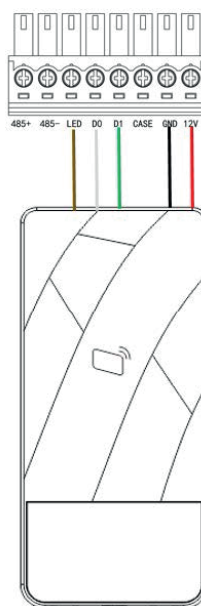


Connessioni



RS485 wiring

AWG 24, twisted-pair cable;
RS485: 1000m;
Power: 100m;



Wiegand wiring

AWG 24, twisted-pair cable;
Wiegand: 40m;
Power: 100m;
LED cable control the reader
buzzer and LED light;

Hiltron Land S.r.l.

Strada Provinciale di Caserta, 218 80144 - Napoli - Italy
Tel: (+39) 081.185.39.000 Fax: (+39) 081.185.39.016
www.hiltronsecurity.net